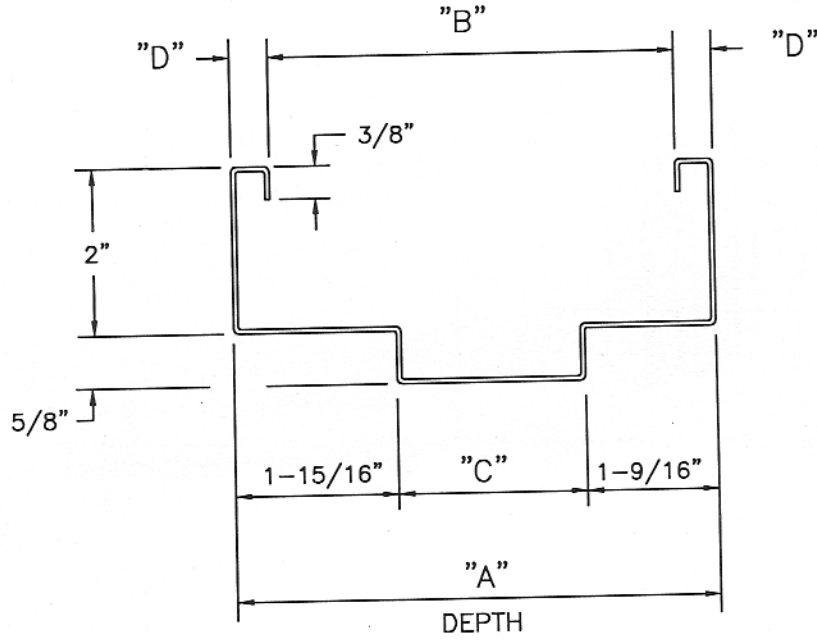




F5-1

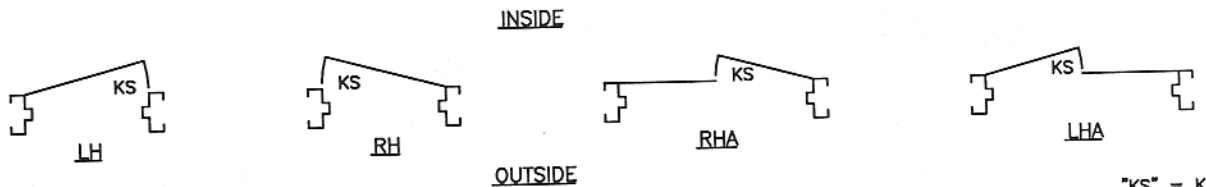
SERIES DU SLIP-ON DRYWALL FRAMES

FOR 1-3/4" THICK DOORS
HANDED



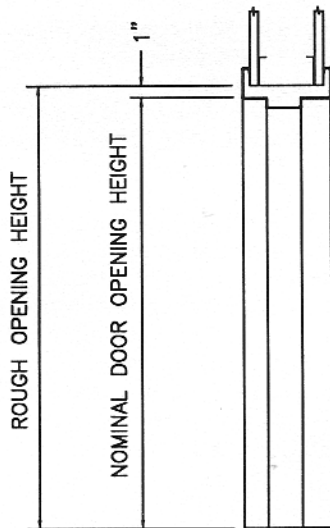
SIZE	A	B	C	D
434/312	4-3/4"	3-1/2"	1-1/4"	5/8"
534/458	5-3/4"	4-5/8"	2-1/4"	9/16"
534/478	5-3/4"	4-7/8"	2-1/4"	7/16"

6/1/01

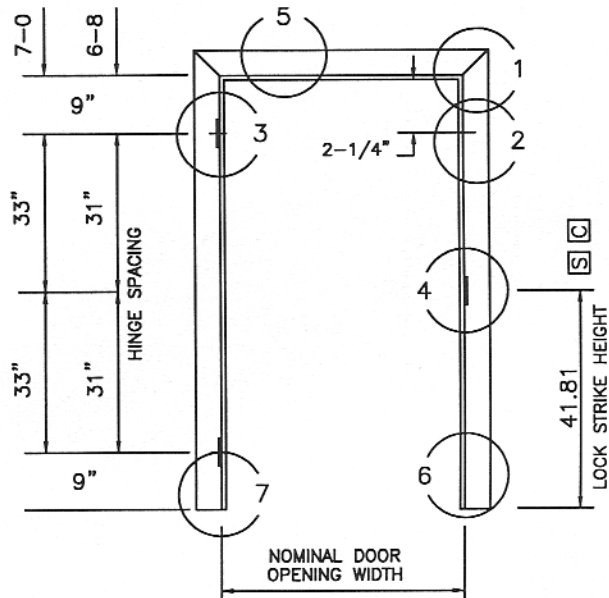


"KS" = KEY SIDE

Hardware locations shown match Ceco standard doors.



VERTICAL SECTION



ELEVATION

NOTE #1:

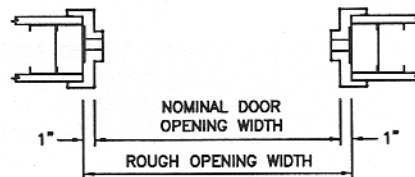
STRIKE PLASTER GUARDS (SNAP-IN TYPE) ARE OPTIONAL.

- 5/8" DEEP
- 1" DEEP

WALL STUDS MAY HAVE TO BE NOTCHED TO PROVIDE CLEARANCE FOR THE ONE INCH TYPE.

IF REQUIRED, PLASTER GUARDS ARE BEST REMOVED BEFORE FRAME INSTALLATION.

HINGE PLASTER GUARDS ARE NOT PROVIDED.



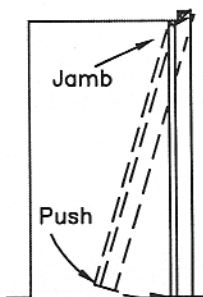
HORIZONTAL SECTION

INSTALLATION INSTRUCTIONS

ROUGH OPENING:

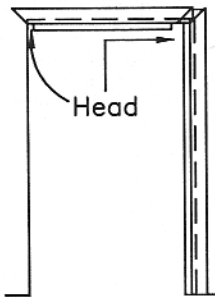
- DOOR OPENING WIDTH PLUS 2"
- DOOR OPENING HEIGHT PLUS 1"

STEP 1



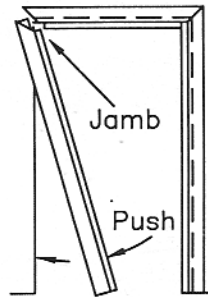
- A. PUSH TOP OF ONE JAMB OVER THE WALL.
- B. HOLD TOP OF JAMB IN PLACE, THEN PUSH BOTTOM IN TOWARDS AND OVER WALL.

STEP 2



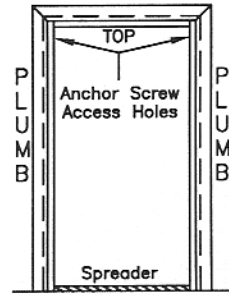
- A. POSITION FRAME HEAD OVER THE WALL.
- B. ALIGN HEAD TABS WITH JAMB SLOTS, THEN SLIDE HEAD TOWARD JAMB AND ENGAGE TABS IN SLOTS.

STEP 3



- A. PUSH TOP OF REMAINING JAMB OVER WALL AND MATE TABS IN SLOTS.
- B. PUSH BOTTOM OF JAMB IN TOWARDS AND OVER WALL.
- C. LEVEL HEAD.

STEP 4



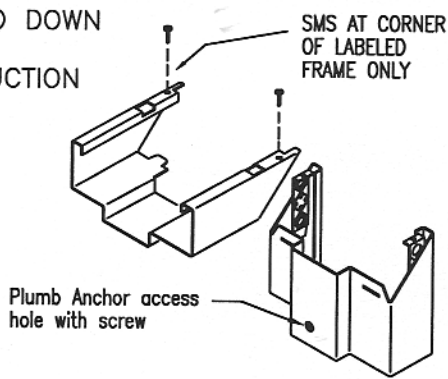
- A. ADJUST PLUMB ANCHORS WITH SCREWDRIVER.
- B. PLUMB HINGE JAMB AND ANCHOR SILL.
- C. WITH TEMPORARY SPREADER, ADJUST STRIKE JAMB AND ANCHOR SILL.
- D. INSTALL MUTES.



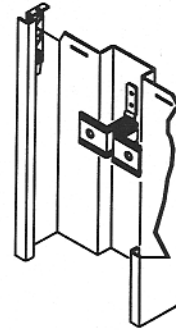
TECH-DATA

SERIES DU DRYWALL FRAMES

① KNOCKED DOWN CORNER CONSTRUCTION



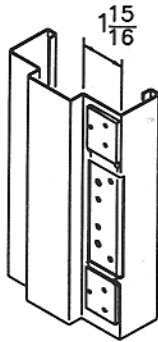
② ADJUSTABLE PLUMB ANCHOR



ONE EACH JAMB
Adjust with screwdriver

③ HINGE PREPARATION

4-1/2" x .134" OR
4-1/2" x .180"
ANSI A156.7 TEMPLATE
7 GAGE STEEL
REINFORCING

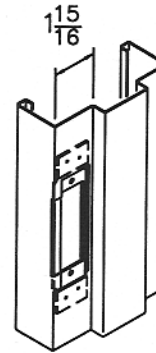


BACKSET: 5/16"

SEE NOTE #1

④ HINGE PREPARATION

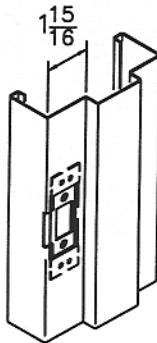
UNIVERSAL (4-7/8")
ANSI A115.1 & 2 TEMPLATE
12 GAGE STEEL REINFORCING
STANDARD FOR 1-3/4" DOORS



SEE NOTE #1

⑤ LOCK STRIKE PREPARATION

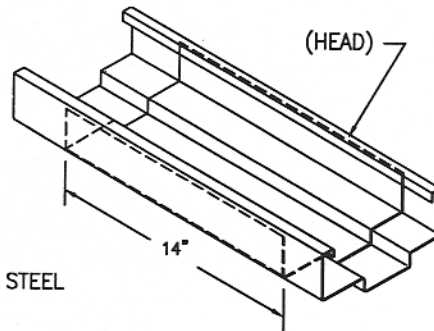
CYLINDRICAL (2-3/4")
ANSI A115.2 TEMPLATE
14 GAGE STEEL REINFORCING
ALSO AVAILABLE WITHOUT
LIP CUTOUT FOR DEADLOCKS



SEE NOTE #1

⑥ CLOSER REINFORCEMENT (OPTIONAL)

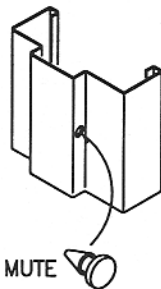
CR434
CR534
14 GAGE STEEL



⑧ DOOR SILENCER (MUTE)

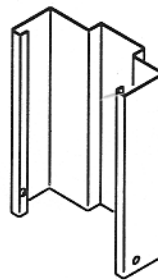
SINGLE & DOUBLE
RABBET ONLY

RUBBER MUTE
(3) / STRIKE JAMB
(2) / DOUBLE
SWING HEAD



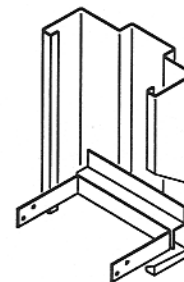
⑧ STANDARD SILL ANCHOR

DIMPLED HOLE
FOR #8 FH
FASTENER.
FASTENER IS BY
CONTRACTOR AND
MUST BE LONG
ENOUGH TO
ENGAGE STUD.



⑨ OPTIONAL SILL STRAP ANCHOR

FASTENER IS
BY CONTRACTOR
AND MUST
ENGAGE STUD.



Ceco Door Products

F5-4

STANDARD SIZES NOMINAL DOOR OPENING

WIDTH		HEIGHT
SINGLE	DOUBLE	
2'-0"	4'-0"	6'-8" 7'-0"
2'-4"	4'-8"	
2'-6"	5'-0"	
2'-8"	5'-4"	
2'-10"	5'-8"	
3'-0"	6'-0"	
3'-4"		
3'-6"		
3'-8"		
3'-10"		
4'-0"		

FIRE DOOR FRAMES

LABELING AGENCIES:

- UNDERWRITERS LABORATORY
- WARNOCK HERSEY
- FACTORY MUTUAL

TEST: ASTM E-152, UL10B,
UBC 43-2

- RATING: 20 MIN, 3/4 HR,
OR 1-1/2 HR
- MAX. SIZE: 40 x 70 SINGLE
60 x 70 PAIR

PRODUCT SPECIFICATIONS:

Steel door frames shall be as manufactured by Ceco Door Products, Milan, TN USA. They shall conform to the Steel Door Institute guide specification, ANSI A250.8-1998. See chart below for performance classifications.

Series DU slip-on drywall frames for 1-3/4" doors are formed from commercial quality cold rolled steel conforming to ASTM A366 or A620 & A568 - see chart below.

Frames are knocked down, field assembled type. Components have diecut mitered corners that interlock rigidly when field assembled. Double rabbet profiles are sized to fit 3 popular wall thicknesses. Integral door stops are 5/8" high and frame faces are 2". Adjustable, compression type anchors are welded to jambs and allow frame installation, plumbing and squaring after wallboard is applied (to adjust anchors use Phillips head screw driver -- access hole is concealed by plastic plug button). Components have backbend-returns that protect the wall surface during installation. Sill anchoring is by means of screws through dimpled holes in faces ... welded on sill strap anchors are also available (optional).

Hardware Provisions: Frames are handed. Hinge jambs are mortised for 4-1/2" high, standard or heavy weight hinges (specify which). 7 gage steel reinforcements are welded in place and are drilled and tapped for fasteners in accordance with ANSI A156.7. The strike jamb is prepared for 4-7/8" universal or 2-3/4" cylindrical strike in accordance with ANSI A 115.1&2 (specify which). Optional closer reinforcement is a 14 gage steel formed steel sleeve. 3 door mutes are provide per strike jamb and 2 for double swing heads.

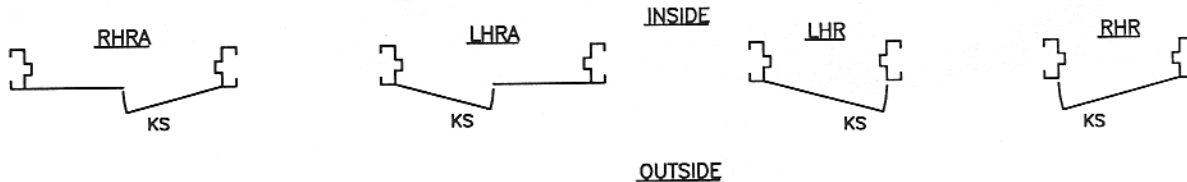
Paint: Steel door frames are provided with one coat of oven-cured neutral color primer paint. Primer coat shall conform with ANSI A250.10. The primer coat is a preparatory base for necessary finish painting. "Colorstyle" finish coat is also available from a selection of standard colors (optional). Colorstyle finish is electrostatically applied, oven-cured urethane enamel. For accurate color selectors ask for a Ceco Colorstyle chart.

MATERIAL

FRAME MATERIAL	GRADE
16 Gage Cold Rolled Steel	Standard Duty or Heavy Duty

PERFORMANCE

Physical Endurance Level:	Meets S.D.I. 119 Performance Test, Level A (1,000,000 Cycles)
---------------------------	---------------------------------------------------------------



"SUFFIX 'A' = ACTIVE LEAF OF PAIRS

6/1/01



Ceco Door Products