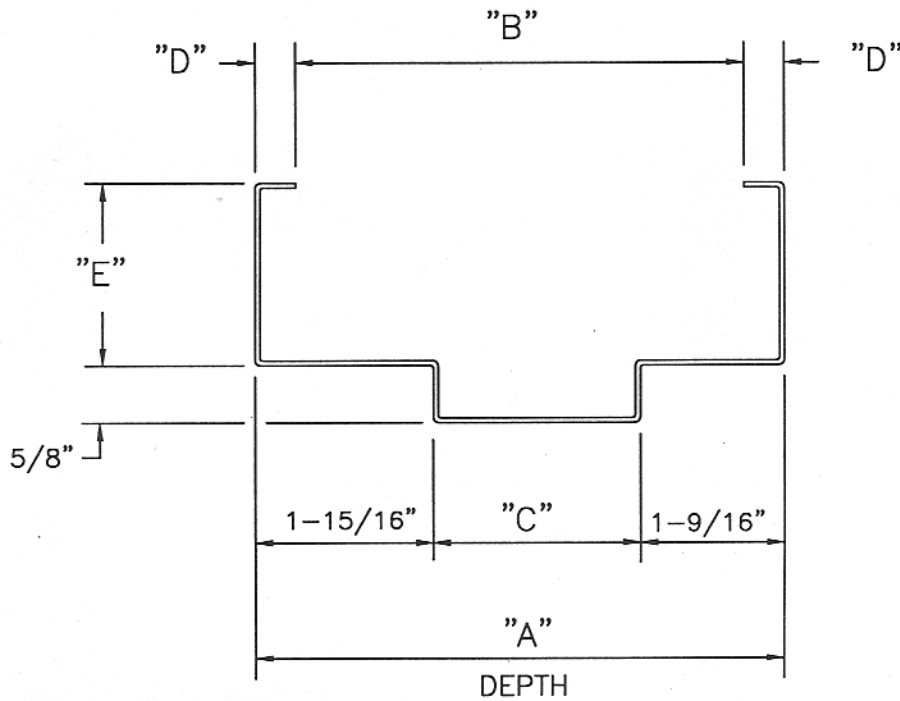




SERIES SU STEEL FRAMES (UNEQUAL RABBET)

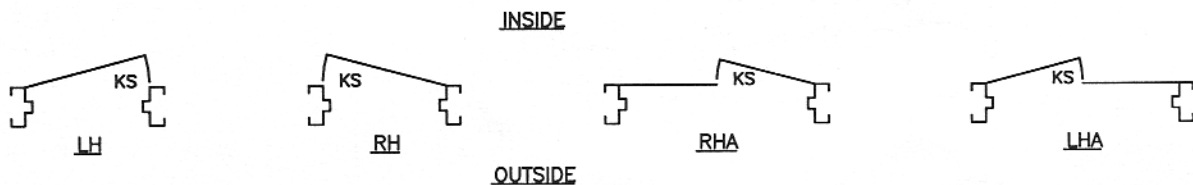
FOR 1-3/4" THICK DOORS

STANDARD WALL APPLICATION, HANDED



DEPTH	A	B	C	D	E	
					HEAD & JAMBS	HEAD & JAMBS
434	4-3/4"	3-3/4"	1-1/4"	1/2"	2"	1"
534	5-3/4"	4-7/8"	2-1/4"	7/16"	2"	1"
634	6-3/4"	5-3/4"	3-1/4"	1/2"	2"	1"
734	7-3/4"	6-3/4"	4-1/4"	1/2"	2"	1"
834	8-3/4"	7-3/4"	5-1/4"	1/2"	2"	1"

Series SU, double rabbet frames (with unequal rabbets) are also available in a range of depths from: 4-1/2" thru 10-5/8" in 1/8" increments. 4" face heads with 2" face jambs are also available in selected sizes.



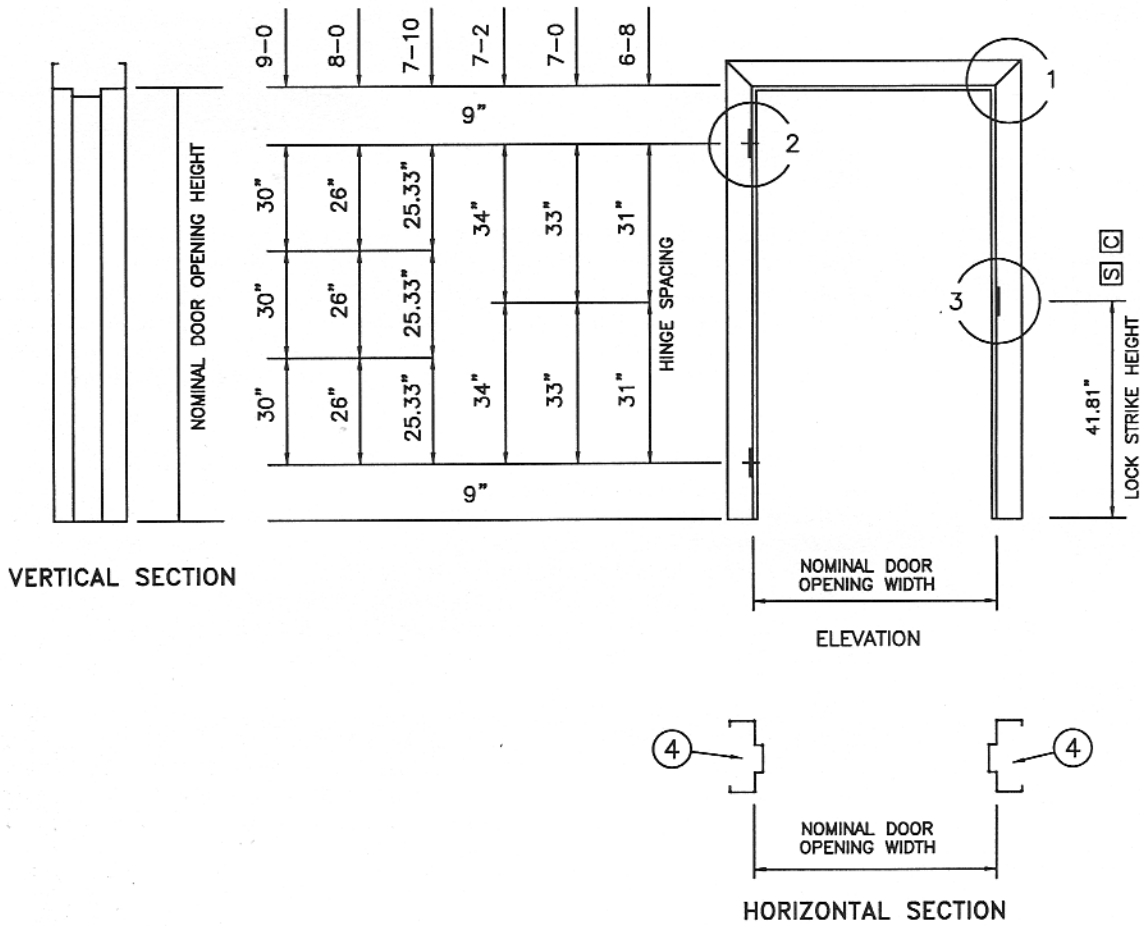
"KS" = KEY SIDE

6/1/01

F1-1

F1-2

Hardware locations shown match Ceco standard doors.

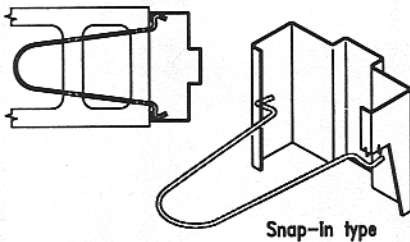


(Conversion: 1" = 25.4 mm, e.g., 1-3/4" = 44.45 mm)

JAMB ANCHOR QUANTITIES

3 PER JAMB FOR HEIGHTS UP TO 7-2 AND ONE FLOOR ANCHOR
 4 PER JAMB FOR HEIGHTS FROM 7-3 THRU 9-0 AND ONE FLOOR ANCHOR
 ONE ADDITIONAL JAMB ANCHOR FOR EACH ADDITIONAL TWO FEET IN HEIGHT OR FRACTION THEREOF
 ONE ADDITIONAL JAMB ANCHOR IN LIEU OF FLOOR ANCHOR FOR EO AND WS TYPE CONDITIONS

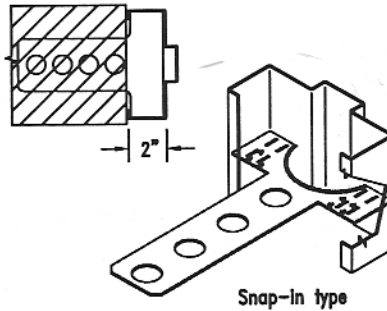
WIRE MASONRY ANCHOR (STANDARD) WMA



(For 2" thru 8-3/4" Depths)

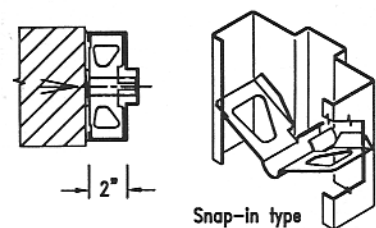
④

MASONRY "T" ANCHOR (ADJUSTABLE) MT



④

EXISTING OPENING ANCHOR EO



④

EO/S6: 4-1/2" thru 6-3/4" depth
 EO/S8: 6-7/8" thru 9-3/4" depth

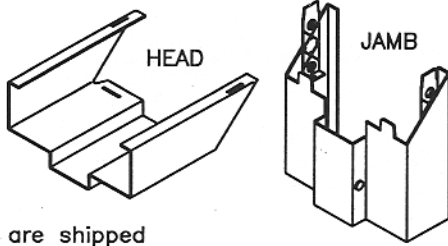
6/1/01



Ceco Door Products

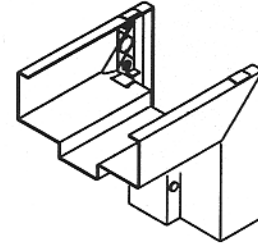
FJ-3

① KNOCKED DOWN (KD) CORNER CONSTRUCTION



Components are shipped "knocked down" and assembled at the job site

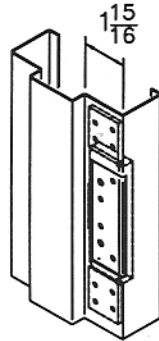
② WELDED CORNERS



Die-cut corner with corner tab and face weld shown. Also available without tab and welded or mitre sawed and welded. Alternative weld options are also available.

③ HINGE PREPARATION

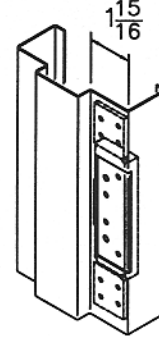
4-1/2" x .134" OR
4-1/2" x .180"
ANSI A156.7 TEMPLATE
7 GAGE STEEL



BACKSET: 5/16"

④ HINGE PREPARATION

5" x .146" OR
5" x .190"
ANSI A156.7 TEMPLATE
7 GAGE STEEL
REINFORCING

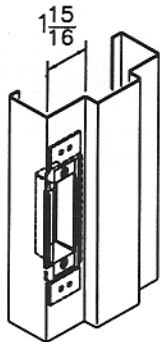


BACKSET: 5/16"

⑤ LOCK STRIKE PREPARATION

S

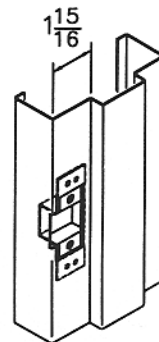
UNIVERSAL (4-7/8")
ANSI A115.1 & 2 TEMPLATE
12 GAGE STEEL REINFORCING
STANDARD FOR 1-3/4" DOORS



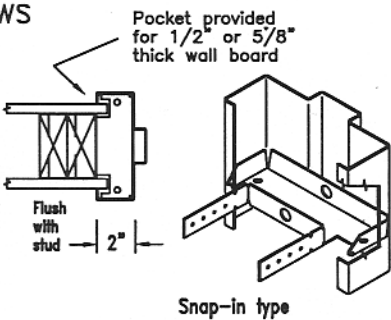
⑥ LOCK STRIKE PREPARATION

C

CYLINDRICAL (2-3/4")
ANSI A115.2 TEMPLATE
16 GAGE STEEL REINFORCING
OPTIONAL FOR 1-3/4" DOORS

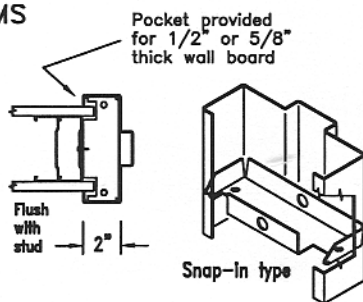


⑧ WOOD STUD ANCHOR WS



(Used also for METAL STUD Walls)

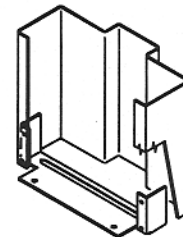
⑧ METAL STUD ANCHOR MS



4-3/4 and 5-3/4" Depth Only
For other depths use WS type.

⑨ FIXED FLOOR ANCHOR FFA

Anchor is attached to frame in the field by means of SMS



6/1/01



Ceco Door Products

STANDARD SIZES NOMINAL DOOR OPENING

WIDTH		HEIGHT
SINGLE	DOUBLE	
2'-0"	4'-0"	
2'-4"	4'-8"	
2'-6"	5'-0"	6'-8"
2'-8"	5'-4"	7'-0"
2'-10"	5'-8"	7'-2"
3'-0"	6'-0"	7'-10"
3'-4"	6'-8"	8'-0"
3'-6"	7'-0"	9'-0"
3'-8"	7'-4"	
3'-10"	7'-8"	
4'-0"	8'-0"	

FIRE DOORS

LABELING AGENCIES:

- UNDERWRITERS LABORATORY
- WARNOCK HERSEY
- FACTORY MUTUAL

TEST: ASTM E-152, UL10B,
UBC 43-2

• RATING: 20 MIN, 3/4 HR,
1 HR, 1-1/2 HR, OR 3 HR

• MAX. SIZE: 40 x 90 SINGLE
80 x 90 PAIR

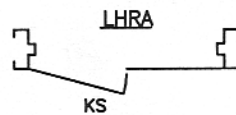
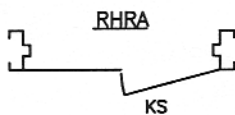
Not all ratings are available
in all sizes, designs and
materials.
Hourly classifications are not
shown on label unless class
is less than 3 hours.

MATERIAL

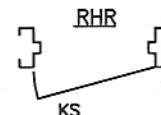
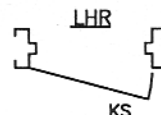
DOOR FRAME MATERIAL	GRADE	C.R.	GALV		
			A40	A60	G90
16 Gage Steel	Heavy Duty	STD	-	OPT	OPT
14 Gage Steel	Extra heavy Duty	STD	-	OPT	OPT

PERFORMANCE

Physical Endurance Level:	Meets S.D.I. 119 Performance Test, Level A (1,000,000 Cycles)
------------------------------	--



INSIDE



OUTSIDE

"SUFFIX A" = ACTIVE LEAF OF PAIRS

PRODUCT SPECIFICATIONS:

Steel door frames shall be as manufactured by Ceco Door Products, Milan, TN USA. They shall conform to the Steel Door Institute guide specification, ANSI A250.8-1998. See chart below for performance classifications.

Series SU frames for 1-3/4" doors are formed from commercial quality cold rolled steel conforming to ASTM A366 or A620 & A568 ...or (optional) hot-dipped galvanized steel conforming to ASTM A924 and A653 - see chart below.

Frames are knocked down (K.D.) field assembled type or welded unit type. Head and jamb members of K.D. frames have diecut mitered corners that interlock rigidly when field assembled. Integral door stops are 5/8" high. Jamb members are sized to suit wall applications. Twist-in anchors are available for new masonry, wood stud, metal stud or existing opening wall conditions (indicate which). Floor anchors or extra jamb anchors are provided to anchor sill. Welded-in jamb or floor anchors are also available.

Hardware Provisions: Frames are handed. Hinge jamb members are mortised for 4-1/2" or 5" high, standard and heavy weight hinges (specify which). 7 gage steel reinforcements are welded in place and are drilled and tapped for fasteners in accordance with ANSI A156.7. The strike jamb is prepared for 4-7/8" universal or 2-3/4" cylindrical strike in accordance with ANSI A 115.1 & 2 (specify which). Plaster guards are provided. Optional closer reinforcement is a 14 gage steel formed steel sleeve. 3 door mutes are provided per strike jamb and 2 for double swing heads.

Paint: Steel door frames are provided with one coat of oven-cured neutral color primer paint. Primer coat shall conform with ANSI A250.10. The primer coat is a preparatory base for necessary finish painting. "Colorstyle" finish coat is also available from a selection of standard colors (optional). Colorstyle finish is electrostatically applied, oven-cured urethane enamel.



Ceco Door Products