

# Door Trim and Auxiliary



## Lever Extension Flush Bolt

For use on hollow metal/fire rated doors

Meets ANSI A156.16 for L04251

### 282D

- 1" x 6 3/4" (25 mm x 172 mm) Face
- 1/2" (12.5 mm) Flattened Round Bolt Head
- 3/4" (19 mm) Bolt Throw
- 12" (305mm) Rod Length (center of face to corner of door)
- 3/4" (19 mm) Rod Backset
- 1" x 2" (25 mm x 51 mm) Guide
- 15/16" x 2 1/4" (24 mm x 57 mm) Strike

Material: Extruded Brass

Finishes: US3, US4, US10, US10B, US15A, US19, US26, and US26D only.

Options: Standard rod length 12" (305 mm). 18" (457 mm), 25" (635 mm), and 30" (762 mm) available. I other lengths, specify "282R". Bolt head not included.



File #  
R13676 (N)



282D  
Fits ANSI A115  
door and frame prep.



Rod 1/4" Dia.  
1/4 - 20 Thread

282R

Fasteners	Quantity	
	Box	Case
#8 combination screws	2 each	80 each

## Lever Extension Flush Bolt

For use on wood composite/fire rated doors

Meets ANSI A156.16 for L04251

### 283D

- 1" x 6 3/4" (25 mm x 172 mm) Face
- 1/2" (12.5 mm) Flattened Round Bolt Head
- 3/4" (19 mm) Bolt Throw
- 3/4" (19 mm) Rod Backset
- 15/16" x 2 1/4" (24 mm x 57 mm) Strike

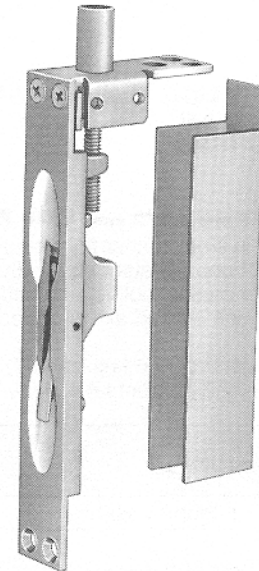
Material: Extruded Brass

Finishes: US3, US4, US10, US10B, US15A, US19, US26, and US26D only.

For use on wood composite doors.



File #  
R13676 (N)



Fasteners	Quantity	
	Box	Case
#8 combination screws	1 each	80 each

## Automatic Flush Bolt Set for Wood Covered Composite Doors

B, C, D, and E Label.

Type #25 ANSI A156.3

### 291D

1" x 8 1/2" (25 mm x 216 mm) Face Plate

Finishes: US3, US4, US10, US10B, US26, and US26D only.

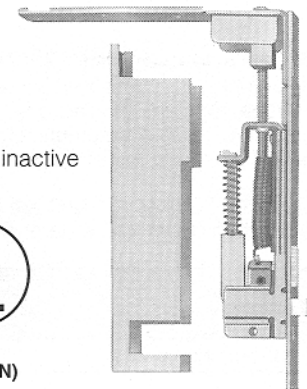
Thermal Lock: Automatically locks inactive door under high fire/heat conditions.

Used in pairs at top and bottom of inactive door. Fully automatic, when active door is opened, inactive door is free.

Note: 280X Dust Proof Strikes (p. F22) are recommended for use with these sets. May be used on doors 4 ft. wide and 9 ft. high.



File #  
R7912 (N)



Fasteners	Quantity	
	Box	Case
2 bolts per set, #8 x 3/4" tapping screws	1 set	10 sets

PH. 1-800-325-9995 or 1-314-772-4400 • Fax 1-800-782-0149 or 1-314-772-0744

F23

"THE FIRST FAMILY OF SUPERIOR HARDWARE"

rev. 7/02