



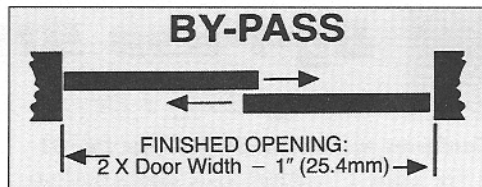
By-Pass 9602 Series

Heavy Duty Aluminum Box Track & Hardware

Conforms to ANSI A156.14/Type: D8731, D8741, D8751

- 4-Wheel Hangers with 7/8" (22mm) wheels
- Packaged sets for doors 1-3/8" (35mm) to 1-3/4" (44mm) thick
- Up to 125 lbs. (57 kg) per panel with 9605 celcon bearing hangers
- Up to 150 lbs. (68 kg) per panel with 9606 ball bearing hangers

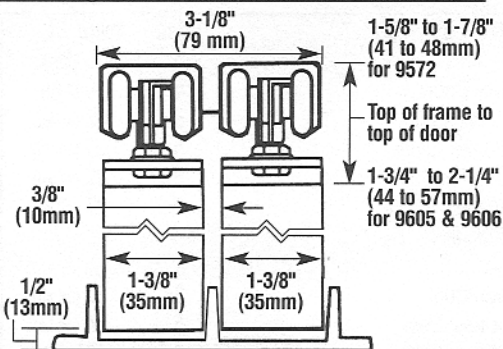
9602 Series By-Pass - Heavy duty by-passing door hardware shall be manufactured for doors 3/4" (19.05mm) to 1-3/4" (44.45mm) thick and weighing up to 100 lbs. (45.4 kg) with 9572 hanger or 125 lbs. (56.7 kg) with 9605 hangers or 150 lbs. (68.04) with 9606 hangers. Track to be of extruded aluminum with "V" shaped rails. Four wheel hangers with jump-proof box design, 7/8" (22.225mm) lubricated celcon wheels mounted on steel shafts (9606 hangers with ball bearings).



Compares to:

- Stanley 1755, 40-3664, 40-3855/BP150
- Johnson 134F/138F
- Grant 7000 Series
- Cox 15-220 Series
- Lawrence 581 Track, HD520 Hdw.

Packaged Sets



9675 Contents: (for doors up to 125 lbs.(57kg))

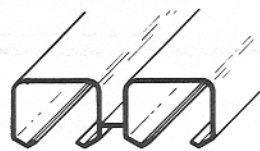
9602 Track, 9679 Parts Bag

9676 Contents: (for doors up to 150 lbs.(68kg))

9602 Track, 9680 Parts Bag

	Case qty.	Case wt. lbs. (kg)
9675-48 By-Pass Set for two 24" (610mm) doors	5	18 (8 kg)
9675-60 By-Pass Set for two 30" (762mm) doors	5	24 (11 kg)
9675-72 By-Pass Set for two 36" (914mm) doors	5	30 (14 kg)
9675-96 By-Pass Set for two 48" (1219mm) doors	5	36 (16 kg)
9676-60 By-Pass Set for two 30" (762mm) doors	5	24 (11 kg)
9676-72 By-Pass Set for two 36" (914mm) doors	5	30 (14 kg)
9676-96 By-Pass Set for two 48" (1219mm) doors	5	36 (16 kg)

Bulk Track Only



9602

.050" (1.3mm) thick aluminum

Track Part #	Description	Case qty.	Wt. lbs
9602-46	46" (1168mm) Aluminum By-Pass Box Track	5	10 (5 kg)
9602-58	58" (1473mm) Aluminum By-Pass Box Track	5	12 (5 kg)
9602-70	70" (1778mm) Aluminum By-Pass Box Track	5	15 (7 kg)
9602-94	94" (2388mm) Aluminum By-Pass Box Track	5	20 (9 kg)
9602-118	118" (2997mm) Aluminum By-Pass Box Track	5	23 (10 kg)
9602-142	142" (3607mm) Aluminum By-Pass Box Track	5	30 (14 kg)

Fascia Only



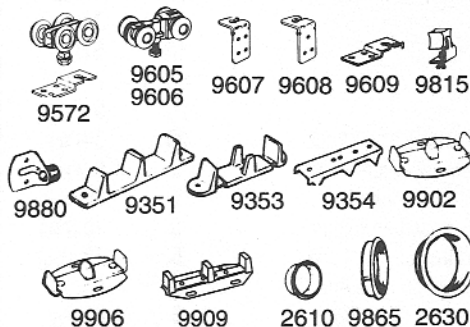
2-3/4" (70mm) high; 5/8" (16mm) lip

Part #	Description	Case qty.	Wt. lbs
9709-72	72" (1829mm) Aluminum Fascia Only, Unanodized	10	17 (8 kg)
9709-96	96" (2438mm) Aluminum Fascia Only, Unanodized	10	22 (10 kg)

Parts Bags

Part #	Description	Case qty.	Wt. lbs
9575	100 lb. (45 kg): 4 ea. 9572 hanger, 1 ea. 9909 guide	5	6 (3 kg)
9679	125 lb. (57 kg): 4 ea. 9605 carrier & 9609 plate, 1 ea. 9909 guide	5	8 (4 kg)
9680	150 lb. (68 kg): 4 ea. 9606 carrier & 9609 plate, 1 ea. 9909 guide	5	8 (4 kg)

Components



Part #	Description	Case qty.	Wt. lbs
9572	4 Wheel Hanger & Door Bracket for 100 lb. (45 kg) Doors	20	6 (23 kg)
9605	4 Wheel Carrier Only for 125 lb. (57 kg) Doors	20	4 (2 kg)
9606	4 Wheel Ball Bearing Carrier Only for 150 lb. (68 kg) Doors	20	4 (2 kg)
9609	Top Mount Plate for 9605/9606 - Fits Doors 1-3/8" (35mm) & up	20	2 (1 kg)
9607	Side Mount Plate - 3/8" (10mm) Offset - for 9605 & 9606	20	2 (1 kg)
9608	Side Mount Plate - 11/16" (17mm) Offset - for 9605 & 9606	20	2 (1 kg)
9815	Center Stop/Snugger	20	1 (0.5 kg)
9880	Door Stop	100	6 (3 kg)
9351	Non-adj. Door Guide for 1-3/8" (35mm) Doors	50	3 (1 kg)
9353	Adj. Door Guide - 3/4" (19mm) to 1-3/8" (35mm)	20	1 (0.5 kg)
9354	3/4" (19mm) Riser - Fits 9351 & 9353	50	12 (5 kg)
9902	Guide - 3/4" (19mm) Doors - Steel Base/Celcon Posts	20	2 (1 kg)
9906	Guide - 1-3/8" (35mm) Doors - Steel Base/Celcon Posts	20	3 (1 kg)
9909	Adj. Guide Up to 1-3/4" (44mm) Doors - Steel Base/Nylon Posts	20	3 (1 kg)
2610-US3	3/4" (19mm) Finger Pull - Bright Brass Finish	50	1 (0.5 kg)
9865	1-3/4" (45mm) Tan Plastic Pull	100	2 (1 kg)
2630	2-1/8" (54mm) Flush Pull - US3, US5, US10B, US15A, US19, US26, US26D	150	8 (4 kg)

Side Mount Plate Selection Chart

Door Thickness	3/4" (19mm)	1" (25mm)	1-1/8" (29mm)	1-3/8" (35mm)	1-3/4" (44mm)
Front Door Plate	9608	9608	9608	9608	9607
Rear Door Plate	9607	9607	9607	9608	9608