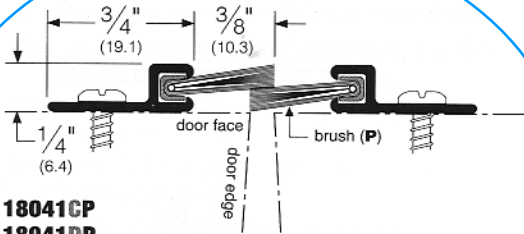


▶ Astragal and Meeting Stile Gasketing – Continued



18041CP
18041DP
18041GP

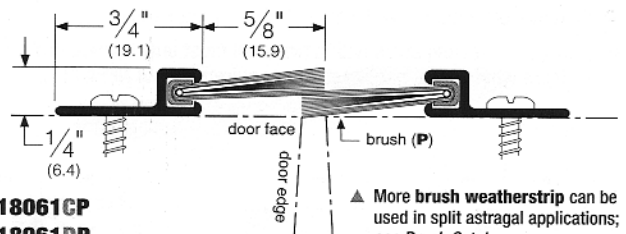


Smoke Tested
Classified & Listed to meet the requirements of standards UL1784, UBC7-2, Part II & BS476



Fire Rated
Classified & Listed to meet the requirements of standards UL10B, UL10C, UBC7-2, Part I & BS476

POSITIVE PRESSURE



18061CP
18061DP
18061GP



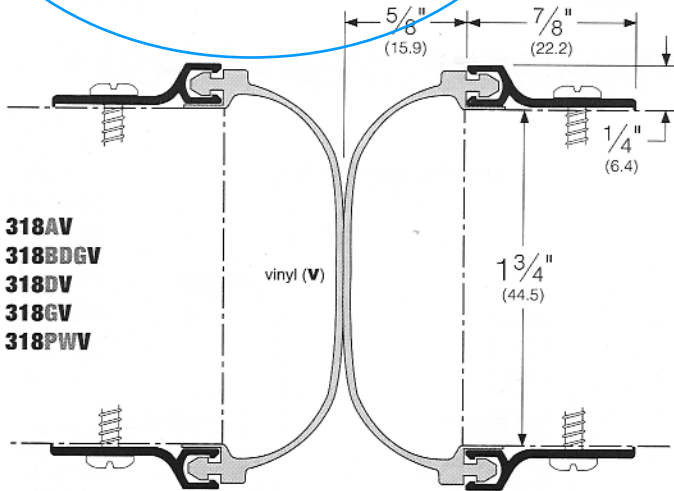
Smoke Tested
Classified & Listed to meet the requirements of standards UL1784, UBC7-2, Part II & BS476



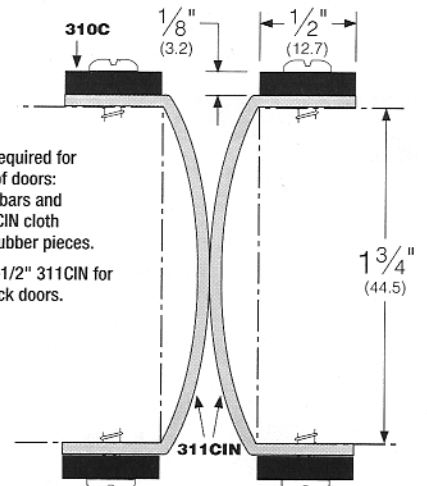
Fire Rated
Classified & Listed to meet the requirements of standards UL10B, UL10C, UBC7-2, Part I & BS476

POSITIVE PRESSURE

▲ More brush weatherstrip can be used in split astragal applications; see *Brush Catalog*.



318AV
318BDGV
318DV
318GV
318PWV



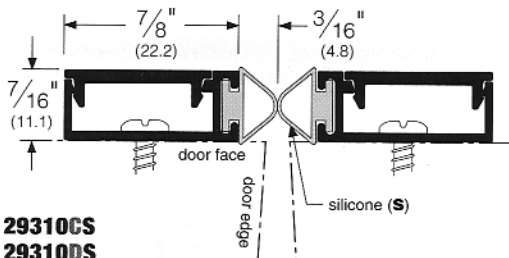
▶ Material required for one-pair of doors:
4 ea. 310 bars and
2 ea. 311CIN cloth
inserted rubber pieces.

▶ Specify 4-1/2" 311CIN for 2-1/4" thick doors.

310C
310D
310G
311CIN

▶ Split Astragals with Snap Covers

■ Snap covering helps prevent vandalism and adds an attractive finished look by concealing the fasteners.



29310CS
29310DS
29310GS



Fire Rated
Classified & Listed to meet the requirements of standards UL10B and UL10C

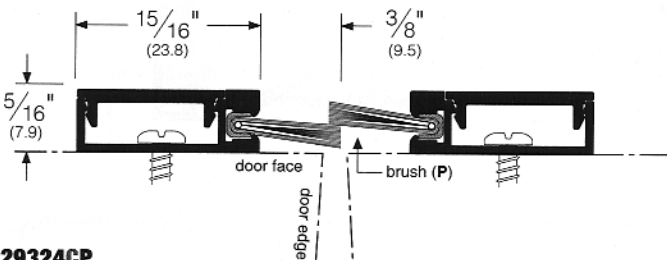
POSITIVE PRESSURE

29310CV vinyl (V)	29310DV	29310GV

	29310CPK 29310DPK 29310GPK

29310CP pile (P)	29310DP	29310GP

	Fire Rated Classified & Listed to meet the requirements of standards UL10B and UL10C
	POSITIVE PRESSURE (20 minute)



29324CP
29324DP

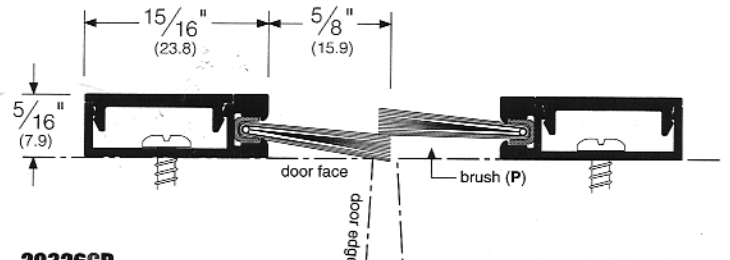


Smoke Tested
Classified & Listed to meet the requirements of standards UL1784, UBC7-2, Part II & BS476



Fire Rated
Classified & Listed to meet the requirements of standards UL10B, UL10C, UBC7-2, Part I & BS476

POSITIVE PRESSURE



29326CP
29326DP



Smoke Tested
Classified & Listed to meet the requirements of standards UL1784, UBC7-2, Part II & BS476



Fire Rated
Classified & Listed to meet the requirements of standards UL10B, UL10C, UBC7-2, Part I & BS476

POSITIVE PRESSURE

VENTURA, CA
WHITTIER, CA

800 • 283-9988

PEMKO

MEMPHIS, TN

800 • 824-3018

AS
3