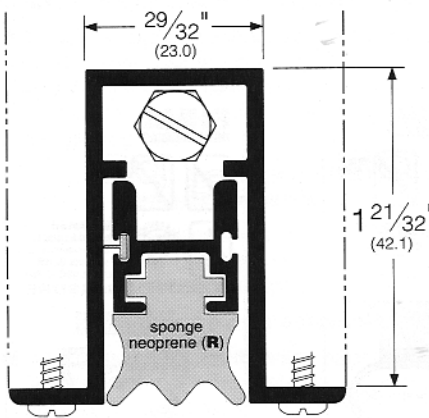


# Automatic Door Bottoms – Non-Handed Full-Mortise Models



**BHMA CERTIFIED**

**434ARL**

UL 10C & UL 10B  
UL 10C & UL 10B  
UL 10C & UL 10B

**BHMA CERTIFIED**

**434ANL**

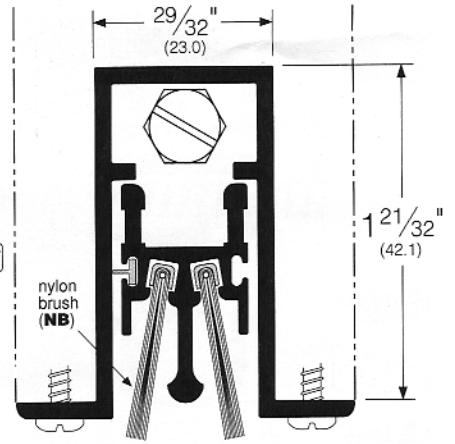
UL 10C & UL 10B  
UL 10C & UL 10B  
UL 10C & UL 10B

neoprene (N)

**BHMA CERTIFIED**

**434ANBL**

UL 10C & UL 10B  
UL 10C & UL 10B  
UL 10C & UL 10B



**PemkoPrene™ (PK)**

**434APKL**

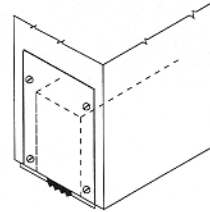
**BHMA CERTIFIED**

**POSITIVE PRESSURE**

**Fire Rated**  
Classified & Listed to meet the requirements of standards UL10B, UL10C & UBCT-2, Part I

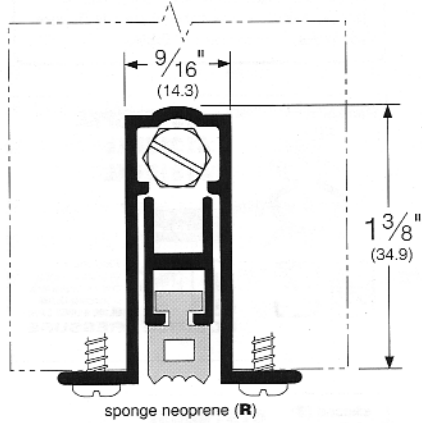
## End Plates for (434 and 411 Models)

Aluminum end plates are provided with all 434 & 411 models to protect the mechanism and to give a clean aesthetic appearance.



### 434 End Plate

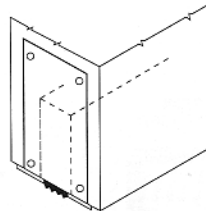
▲ Screws included



**BHMA CERTIFIED**

**411ARL**

UL 10C & UL 10B  
UL 10C & UL 10B  
UL 10C & UL 10B



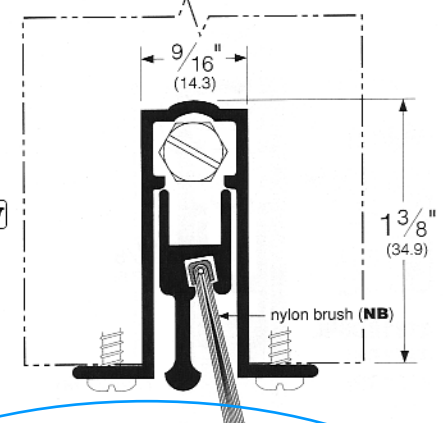
### 411 End Plate

▲ Nails included

**BHMA CERTIFIED**

**411ANBL**

UL 10C & UL 10B  
UL 10C & UL 10B  
UL 10C & UL 10B



**PemkoPrene™ (PK)**

**411APKL**

**BHMA CERTIFIED**

**POSITIVE PRESSURE**

**Fire Rated**  
Classified & Listed to meet the requirements of standards UL10B, UL10C & UBCT-2, Part I

**vinyl (V)**

**411AVL**

**BHMA CERTIFIED**

**silicone (S)**

**411ASL**

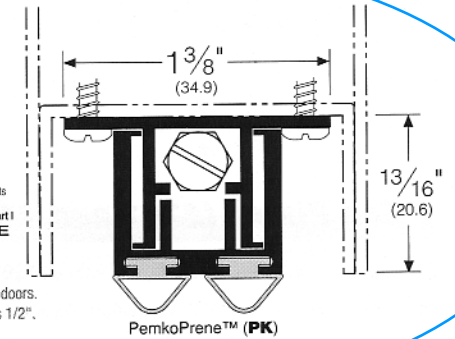
**BHMA CERTIFIED**

**Fire Rated**  
Classified & Listed to meet the requirements of standards UL10B, UL10C & UBCT-2, Part I

**POSITIVE PRESSURE**

### 420APKL

▲ For hollow metal doors.  
▲ Maximum drop is 1/2".



**vinyl (V)**

**420AVL**

**BHMA CERTIFIED**

**silicone (S)**

**420ASL**

**BHMA CERTIFIED**

**POSITIVE PRESSURE**

**Fire Rated**  
Classified & Listed to meet the requirements of standards UL10B, UL10C & UBCT-2, Part I

### Finish Designations: (pages DB4 & DB5)

- |  |                                     |
|--|-------------------------------------|
| <b>A</b> mill finish aluminum                | <b>B</b> mill finish bronze (brass) |
| <b>BDG</b> bright-dip gold anodized aluminum | <b>C</b> clear anodized aluminum    |
| <b>D</b> dark bronze anodized aluminum       | <b>G</b> gold anodized aluminum     |
| <b>S</b> clad stainless steel                |                                     |

Please refer to the listings under each product for stocked finishes, and consult the factory for the price and availability of non-stocked finishes.