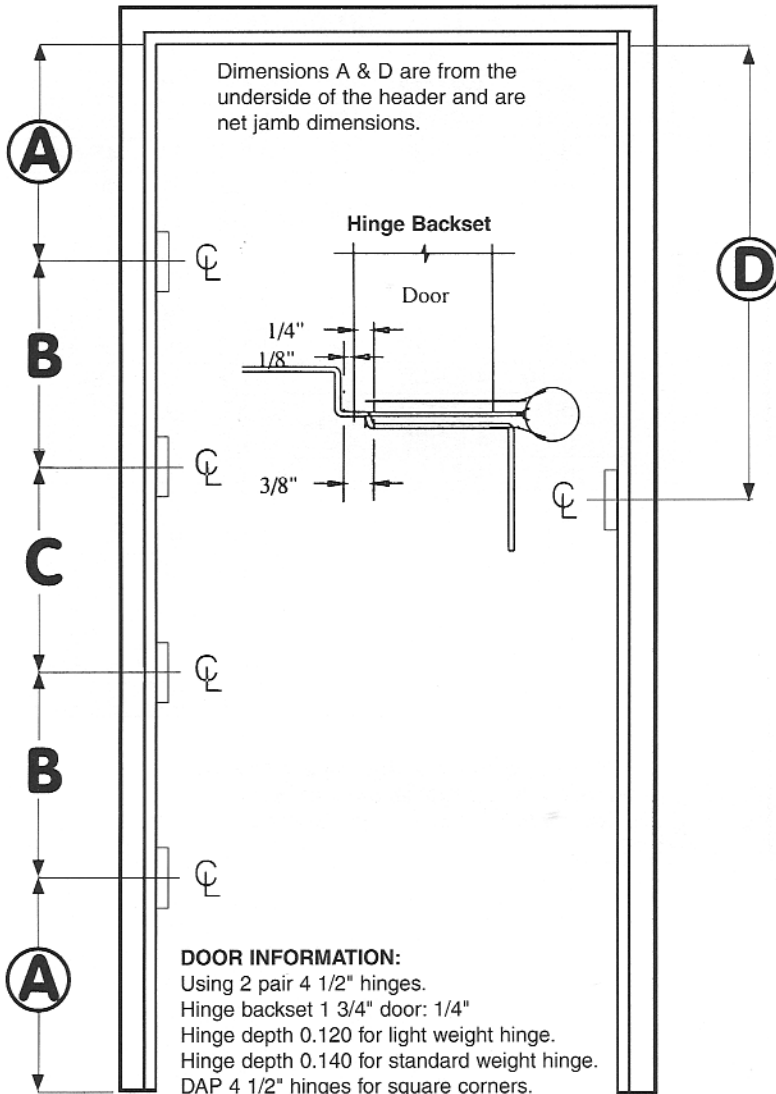


NOTE: When using this chart for premachining door measurements, reduce the A & D dimensions 3/32" each for door clearance.

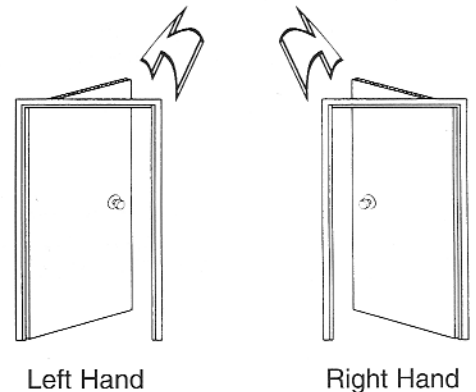
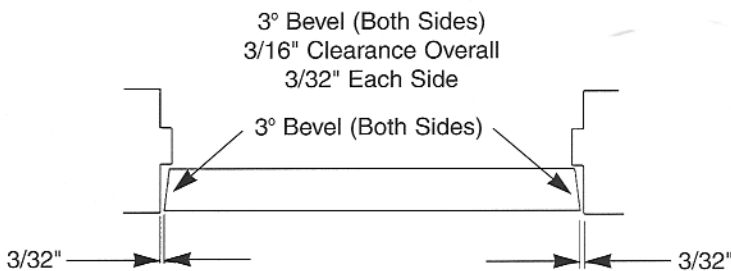


Net Frame Dimensions

+ HEIGHT	A	B	C	D
6-0	10-19/32	17	17	32-3/32
6-8	10-19/32	19-1/2	20	40-3/32*
6-9	10-19/32	20	20	41-3/32
	10-19/32	20	20	40-19/32*
6-10	10-19/32	20-1/4	20-1/2	42-3/32
7-0	10-19/32	21	21	44-3/32
	10-19/32	21	21	42-3/32*
7-2	10-19/32	21-1/2	22	46-3/32
7-4	10-19/32	22-1/4	22-1/2	48-3/32
7-6	10-19/32	23	23	50-3/32
7-8	10-19/32	23-1/2	24	52-3/32
7-10	10-19/32	24-1/4	24-1/2	54-3/32
8-0	10-19/32	25	25	56-3/32
8-2	10-19/32	25-1/2	26	58-3/32
8-4	10-19/32	26-1/4	26-1/2	60-3/32
8-6	10-19/32	27	27	62-3/32
8-8	10-19/32	27-1/2	28	64-3/32
8-10	10-19/32	28-1/4	28-1/2	66-3/32
9-0	10-19/32	29	29	68-3/32
9-4	10-19/32	30-1/4	30-1/2	72-3/32
9-8	10-19/32	31-1/2	32	76-3/32
10-0	10-19/32	33	33	80-3/32

*Reversible - Frame can be used as Left or Right Hand, swing in or out

+ Frame Heights are 3/16" longer than call out door height unless ordered net. (3/32" top, 3/32" bottom for clearance).



Handing Information
 To establish handing always **Push** the door away from you.

FOR SPECIFICATIONS NOT SHOWN, PLEASE CONSULT OFFICE.