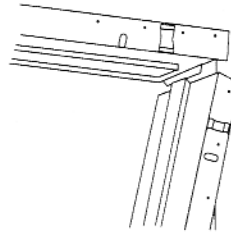


1. Check opening for proper swing, then sleeve header over the wall.

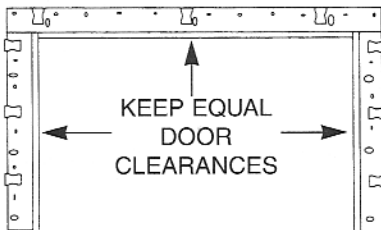


2. Hold jambs at an angle and sleeve the upper portions over the wall. Push upward to engage the jamb tops into the space between the aligning tabs and door stop of the header then sleeve the rest of the jambs completely over the wall. Rotate jambs if wall fit is snug.

3. Pull down on header to bring entire frame down to the finished floor. If carpeting is used, the base on which it is to be laid shall be considered the finished floor. For other floor coverings (Hardwood flooring, tile, etc.), the frame may be raised to rest on blocking of the same thickness as the flooring to be used.

After frame is attached, the blocking can be removed to allow the floor covering to be slipped underneath.

DO NOT FASTEN FRAME YET!



4. Hang prefit door and close into opening. Use door to square opening and adjust frame sections to door to achieve equal clearances between door and frame.

Installation without the use of the door will void the warranty.

FASTENING PROCEDURE

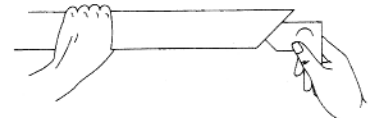
5. Fasten hinge side first with fasteners (nails, dry wall screws, etc.) at all hinge locations and follow with a fastener at all clip points on the hinge jamb. Then proceed to fasten header, starting at the hinge side and across to strike side (be sure to bring header down into firm contact with jamb tops). When fastening strike jamb continue to check for uniform clearance.

WHEN FASTENING FRAME ON BACK-SIDE BE SURE THAT JAMBS ARE NOT COCKED OR OUT OF LINE.

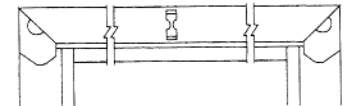
FIRE RATED FRAMES REQUIRE ONE FASTENER EVERY 11 INCHES (+. 1/4").

ATTACH CASINGS

6. NOTE: WHEN ATTACHING CASINGS, HOOK OVER ONE CLIP ROLL AND SNAP OVER THE OTHER



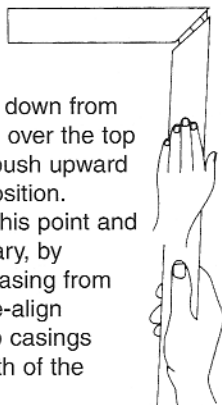
Insert corner pieces into the curled end returns of header casing



Line casing up equidistantly with header and snap over **one clip only** closest to center.

7. Hold casing

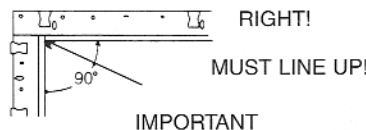
sides at an angle and fit over the corner pieces extending down from the header. Snap over the top clips **ONLY** and push upward into tight mitre position. Check mitres at this point and adjust, if necessary, by tapping header casing from side to side, to re-align mitres; then snap casings over the full length of the jambs.



Should mitres need further adjustment, insert a screwdriver or stiff blade under casing bottoms and force upwards.

SOME TIMELY TIPS FOR GOOD INSTALLATIONS

8. For good casing mitres, header ends **MUST** line up evenly with jamb edges.



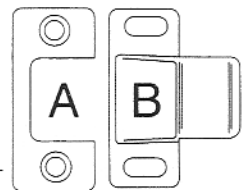
IMPORTANT
 MAINTAIN 90° ANGLE. DO NOT ALLOW GAP TO SHOW WHERE HEADER MEETS UPRIGHT.

Oval punch outs serve two functions:

- I. Allows visual check of clearance between the frame sections and wall.
- II. Permits leverage to move frame sections, with a screwdriver, or awl, if wall is snug

Always install the door and frame together

When installing adjustable strike, fit plate "A" over "B" cup section and screw into pre-punched holes of strike emboss; close door into opening and push "B" section inward until door fits snugly; then open door and tighten screws firmly.



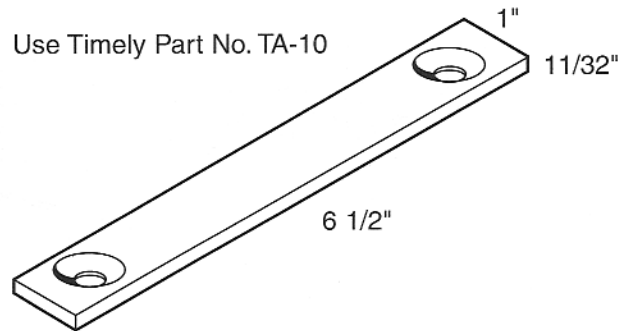
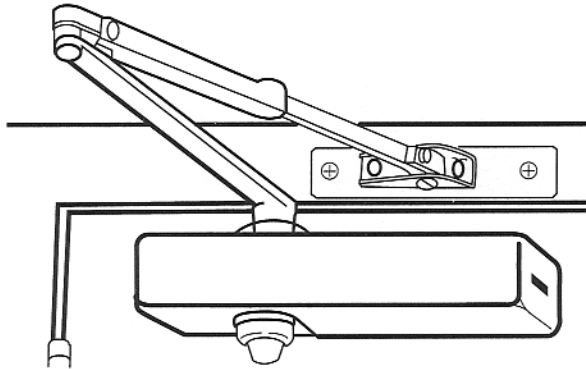
SILENCERS

Application temperature range: 50°F to 100°F. To obtain maximum adhesion, surfaces must be clean, dry, free of grease, wax, oil, dust and other foreign material which might affect adhesion. Clean surfaces with low strength solvents such as isopropyl alcohol or heptane.

FRAMES USED FOR EXTERIOR EXPOSURES REQUIRE ADDITIONAL PAINTING FOR PROPER WEATHERPROOFING.

1. Check rough opening. Dimensions are nominal door width + 1 1/4" and jamb height + 1".
2. Check for correct wall thickness.
3. Check for correct hardware preparation and reinforcement. Use TA-10, TA-10S, TA-12 or TA-25 reinforcement if necessary.
4. Use screws instead of nails so frame can be adjusted if necessary.
5. Use a template door or the actual door to align the frame.
6. Headers and uprights must fit tightly together at a 90° angle so casing miters will form perfect 45° angles with no gaps.
7. Apply fastener at each clip on both sides of the frame, required for fire rating and to prevent loose casing. Fire inspectors may reject frames with inadequate fasteners.
8. Field painted frames must be thoroughly cleaned to remove any substances that would inhibit paint adhesion. Light sanding with Scotchbrite is recommended. Acrylic water based paints require a prime coat and must be tested in advance for compatibility.
9. When applying adhesive backed gasket, frame must be thoroughly cleaned with TSP or similar detergent taking care not to leave a residue.
10. Use screwdriver in oval alignment slots to move frame on wall to avoid damaging wall finish.
11. Frames installed in exterior locations must have adequate flashing to prevent water penetration to building interior. Exterior frames require additional painting for proper weatherproofing and corrosion resistance.

REGULAR ARM CLOSER



INSTALLATION OF TIMELY TA-10 CLOSER REINFORCEMENT BRACKET

1. Position Timely TA -10 closer reinforcement bracket on header in area where the closer shoe is to be mounted. (Fig. 1)
2. Mount bracket on frame even with top edge of header. (Fig. 1)
3. Drill pilot holes in header through countersunk holes in bracket and secure with the two wood or steel stud screws provided.
4. Snap casing over closer reinforcement bracket.
5. Position closer shoe onto frame and drill pilot holes through closer reinforcement bracket.
6. Tap these holes as specified in closer instructions.
7. Secure closer shoe to frame.

Figure 1

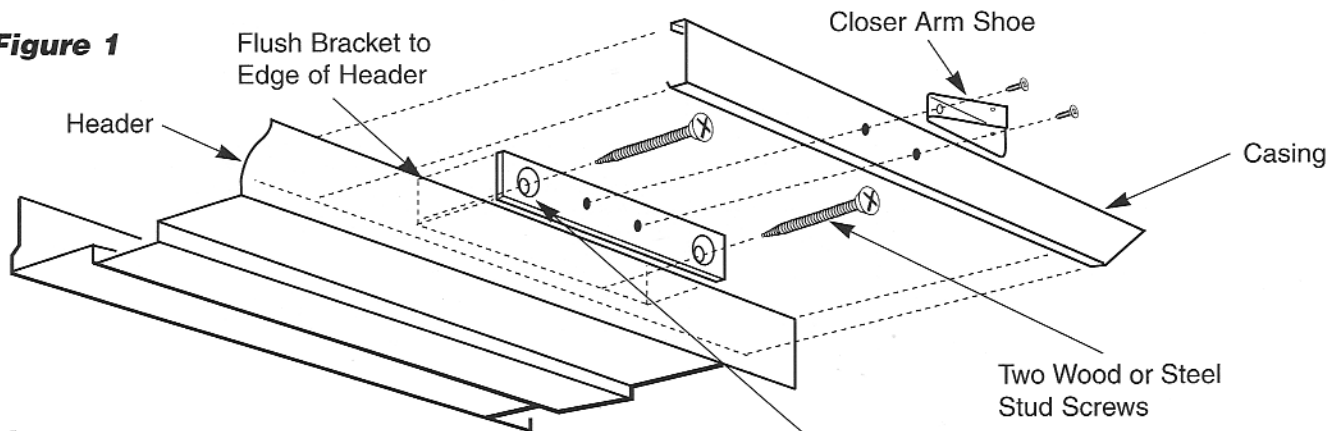
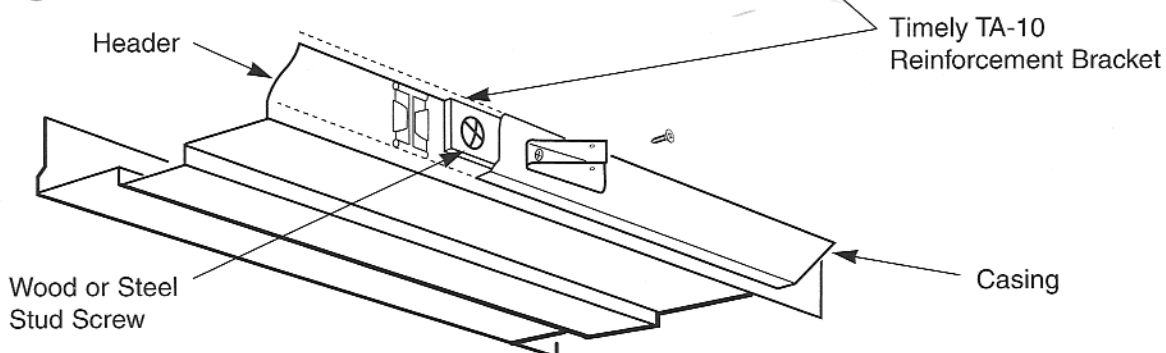
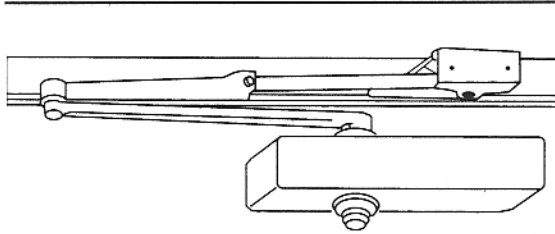


Figure 2



PARALLEL ARM

Use Timely Part No. TA-12



INSTALLATION OF TIMELY TA-12 CLOSER REINFORCEMENT BRACKET

1. Clean general area where Timely TA -12 closer reinforcement bracket is to be positioned on header with alcohol, TSP or similar detergent taking care not to leave a residue.
2. Expose double face tape by removing paper backing on the two strips of tape (Fig. 1) and press into position to secure the bracket to frame (Fig. 2)
3. Position closer shoe onto frame and drill pilot holes through frame and closer reinforcement bracket.
4. Tap holes as specified in closer instructions.
5. Secure closer shoe to frame.

Figure 1

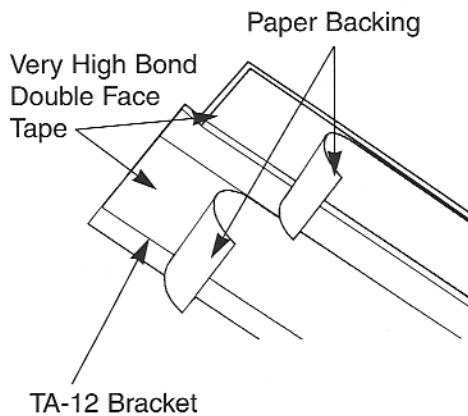
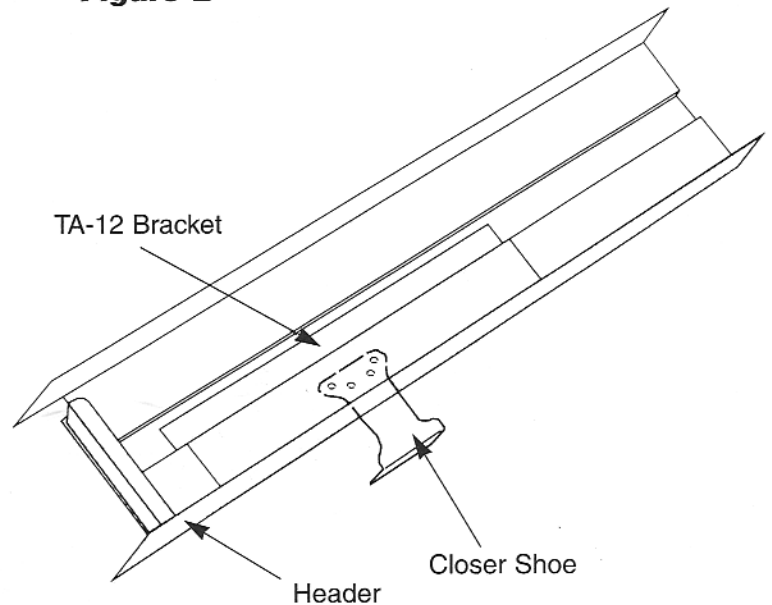


Figure 2



WARNING

The Timely TA-12 Closer Reinforcement Bracket must be Attached **Before** Installing Header.